

Temposonics®

User's Manual

Analog Position Sensor System
with External Electronic Interface

1. Position Sensor Temposonics-II
2. Analog Board AK 288



General Safety Instructions

Preface

The general safety instructions given below are intended to ensure the personnel safety and to avoid damage. Temposonics are state-of-the-art position measurement systems built in accordance with the standard safety regulations. Nevertheless, hazards to the life and health of the user or other persons, or impairments of the sensor or other objects may arise in conjunction with the use of Temposonics Sensors.

Application

1. The position measurement systems of all series Temposonics may be used only for the purposes for which they were designed, i.e. they may be used exclusively for measurement tasks in industrial, commercial and laboratory applications. E.g. positions, displacements and speeds can be measured (more detailed information is given in the relevant product documentation). The position sensors are accessories of an installation and must be connected to a suitable evaluating unit as included in a PLC, IPC, indicator or other electronic control unit. Correct use for the intended purpose implies that all instructions given in the product documentation are followed. Using sensor Temposonics beyond these limits is incorrect. MTS Sensor Technologie GmbH & Co. KG refuse any liability for damage resulting from incorrect use.

2. The displacement sensors may be used only in safe condition. In order to maintain this condition and to ensure safe operation, installation, connection and service work may be done only by trained and qualified personnel *), whereby the relevant instructions for accident prevention and safety as well as the information given in the product documentation must be followed.

Functional trouble

Hazards to the safety of persons or risks of damage to operating facilities due to sensor failure or malfunction must be avoided by additional safety measures such as plausibility checks, limit switches, emergency off systems, protective devices, etc.

In case of trouble, the sensor must be shut down and protected against accidental operation.

Repair

Repair of the sensor may be done only by MTS or an explicitly authorized organization.

Installation and operation

To ensure perfect functioning, following the information given below is indispensable:

1. Protect the sensors against mechanical damage during installation and operation.
2. Do not open or dismantle the sensors.
3. Connect the sensors with utmost care related to polarity of connections, supply voltage as well as type and duration of control pulses.
4. Use only approved power supplies.
5. Meeting the permissible sensor limit values e.g. for supply voltage, environmental conditions etc. specified in the product documentation is indispensable.
6. Check the correct function of the position sensors at regular intervals and provide test documentation.
7. Before switching on the installation, ensure that the starting machine does not threaten the safety and health of persons.

-
- *) Trained personnel means persons who
- related to projecting, are familiar with the safety concepts of automation,
 - are informed of the electromagnetic compatibility,
 - have received a special training for commissioning and servicing,
 - are familiar with the operation of the unit and informed of the specifications for correct operation given in the product documentation.

Analog Board AK 288

1. Introduction

The absolute and linear TEMPOSONICS Position Sensing system is an analog measuring device with highest resolution. Consisting of a sensor TEMPOSONICS-II with built-in R-Module in the sensor head and the separate evaluation interface AK 288. The TEMPOSONICS system measures the time interval between a Start and a Stop signal. In the sensor, a torsional strain pulse is induced in a specially designed magnetostrictive waveguide by the interaction of two magnetic fields under the positioning head. The running time, proportional to the displacement will be converted into an analog voltage or current output (Fig 1).

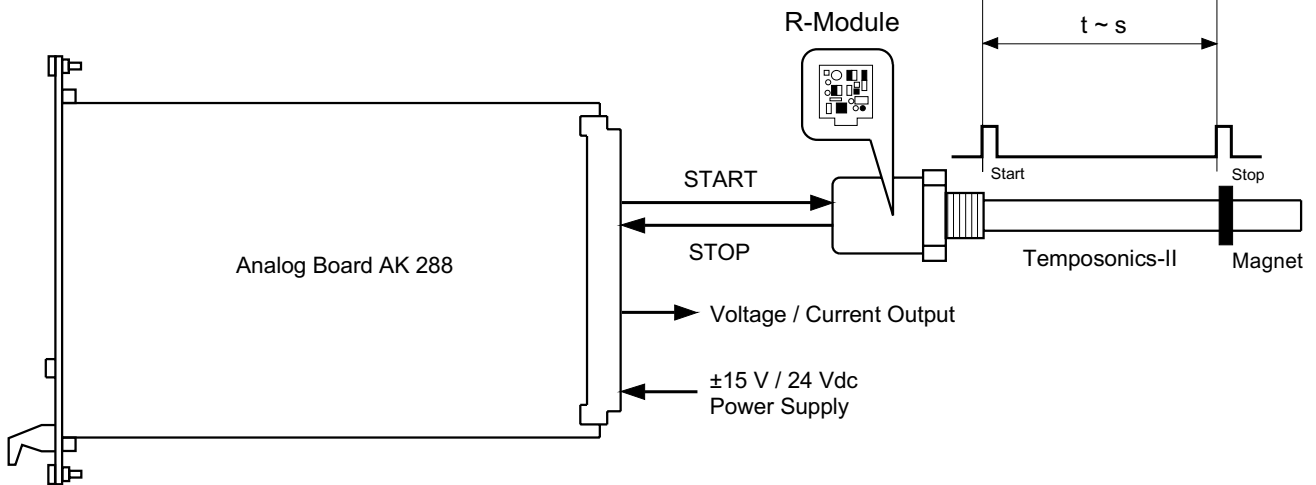


Fig. 1

2. Analog Board AK 288

2.1 Design and Operations

The AK 288 card in Europe format 100 x 160 mm is suitable for installation in a 19" sub-rack, for 32-pin insert card blocks of structural shape C (DIN 41612) or Snap-in card housing.

The board consists of the following function units:

1. Control Logic and Start/Stop-pulse processing
2. Measuring Length Calibration
3. Noise Rejection
4. Analog Output with
 - Reference Voltage
 - Analog Switch
 - Filter and Amplifier for Null and Span
5. Error Output

The card generates the measuring repeat frequency and generates a pulse width from the start/stop signal which is proportional to the position of the magnet head. The pulse duration controls a precision analog switch used to switch an internal reference voltage to an active filter. The filter forms an analog voltage from the gate which is directly proportional to the magnet position.

The Error Output of board AK 288 shows " Low " level, if

- the magnet on the sensor is missing
- no sensor is connected
- the power supply of sensor is missing
- the board is defective
- the Error-Input Pin a16 is not connected

The Error Output requires an additional power supply of +15V or +24Vdc on Pin a16. Pin c16 shows that voltage output if the board AK 288 has no fault.

Analog Board AK 288

2.2 Block Diagram AK 288

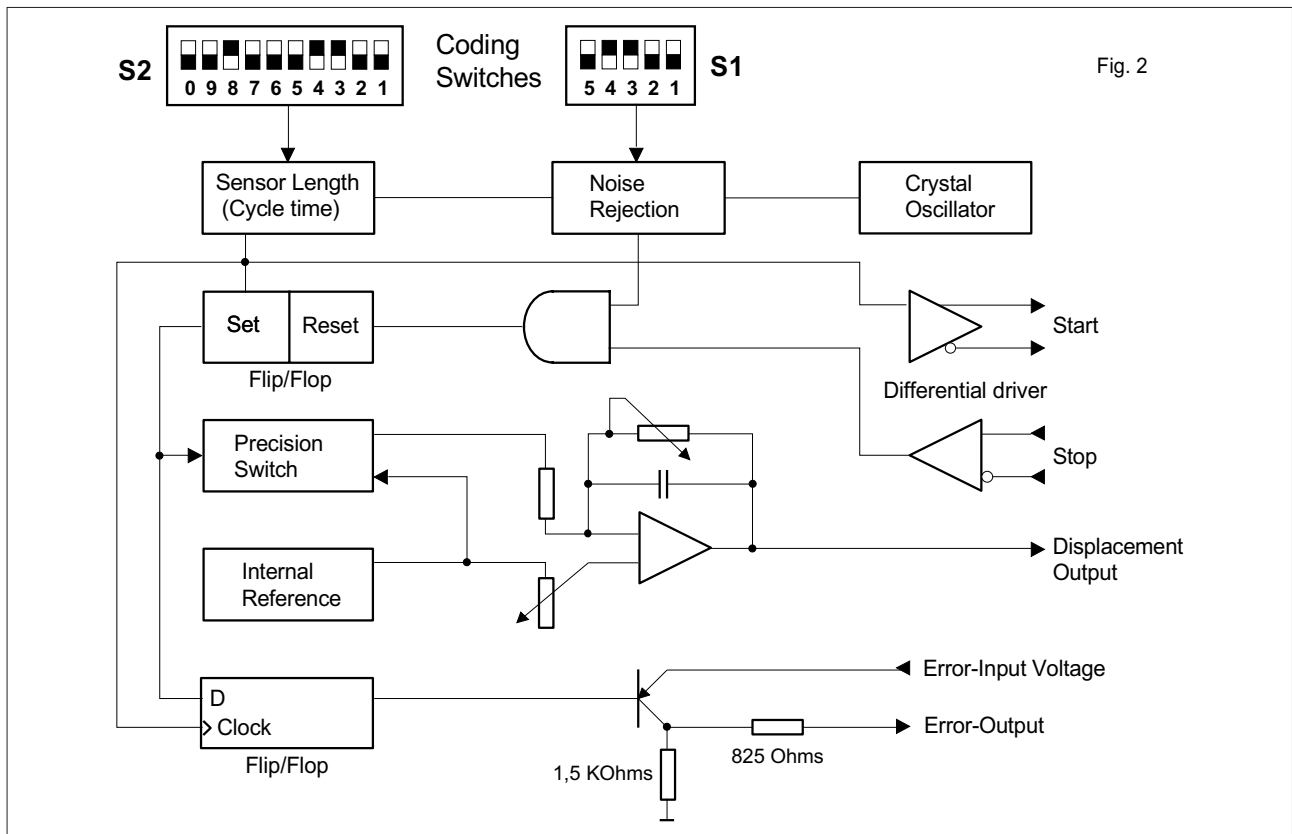


Fig. 2

3. Installation

Measuring and control technology as a component of modern production facilities are often surrounded by interference factors which can impair the function of the electronic system. For this reason the measuring technology should be installed very carefully and attention paid to the following items (see fig 3.)

3.1 Installing the Sensor

The sensor has to be mounted to the machine in any position. The measuring point is definated by the position magnet that has to be connected to the moving machine part and it slides over the transducer rod without wearing. For mechanical installation see the below figures illustrating minimum clearances of transducer magnets and note following items for the very best function of the device.

- Use non-ferrous material (screws, supports etc.)
- Using ferromagnetic materials, the magnet needs spaces between the surface of the magnet and material
- Long Sensors (above 1000 mm measuring stroke) may require mechanical supports

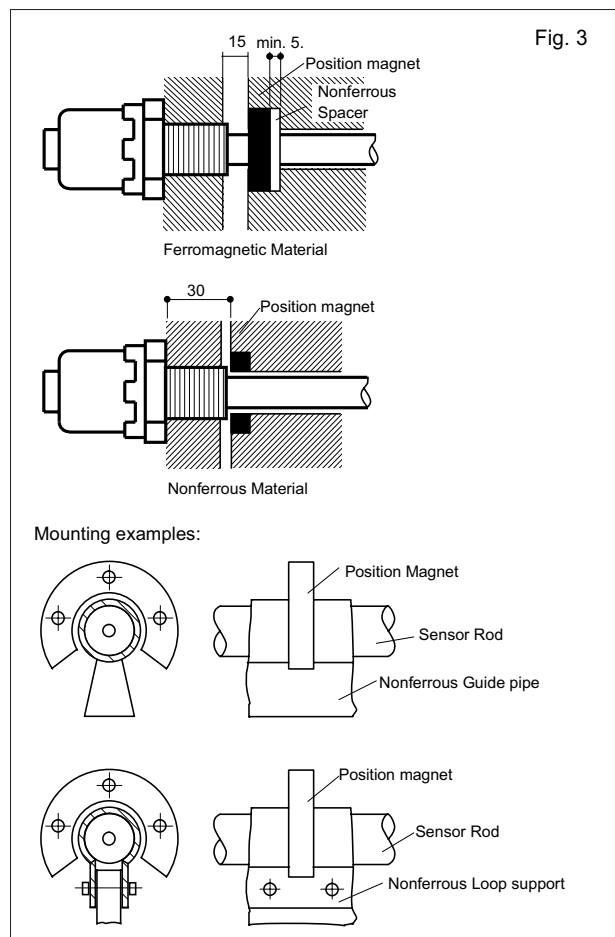
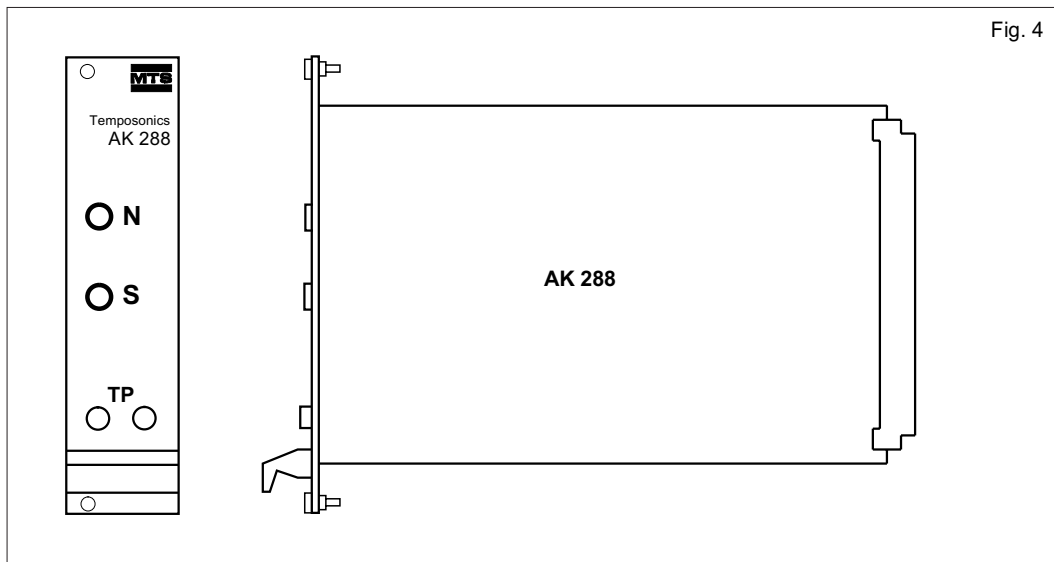


Fig. 3

Analog Board AK 288

3.2 Installing the Board

The analog displacement board AK 288 has the European standard format 100 x 160 mm for mounting in 19"-racks. For mounting in control cabinets it is also possible to use standard card holders, form C, 32 pins, a + c row. Over the terminal block the sensor interface can be wired directly to the sensor.



3.3 Cable

Electrical faults are often caused by the long data lines with defective and incorrect cable laying. The Start/Stop pulse is transmitted as a differential signal. Cable connection between sensor and card of 500 meters are possible.

Attention! All connections are measuring cable and must be treated as such.

- Do not lay cable near and parallel to sources of interference such as engine lines, frequency converters, valve lines or other lines with high switching inductivity
- Lay low-impedance cable
- Avoid earth circuits
- Use twisted cable with a shield
- The shielding of the sensor feed should be matched to the overall concept of the control.

Possible shields are

- One-sided sheath to machine ground (standard)
- One-sided sheath to 0 volts
- Two-sided sheath to machine ground
- External sheath to machine ground. Internal shield to 0 V power supply (applies only to double shielded cable of type LiYCY-CY....)
- We recommended following cable type:
8 x 0,25 mm² / twisted pairs / shielded
e.g. LiYCY 4 x 2 x 0,25 mm² or
LiYCY-CY 4 x 2 x 0,25 mm²

3.4 Power Supply

Power units can also cause interference to the measuring system. This often happens in facilities on which joint power supplies are used which then transmit interference peaks from other components.

Only stabilized power supplies guarantee trouble-free functioning of the Temposonics measuring device. Please note the connected loads right.

Attention! Do not connect other voltages. That can damage electronic components of sensor or board.

Input: ±15 V dc (± 0,5 V)

- +15 V current consumption: 250 mV max.
- Ripple: 200 mV max.
- -15 V current consumption: 100 mV max.
- Ripple: 200 mA max.

Input: 24 Vdc (± 1,2V)

- Current consumption: 250 mA max.
- Ripple: 200 mV max.

Analog Board AK 288

3.5 Connections of Sensor Temposonics-II

<p>10-pin MTS-Connector type <i>RB</i> (male) External view</p>	Connector	Cable color	TEMPOSONICS-II / Series TTA; TTM and TTS
	Connector Pin No.	Cable type K 32 4 x 2 pairs	Type TTA/TTM/TTS- <i>RB</i> -M-□□□□-R (Integral connector) Type TTA/TTM/TTS- <i>R0</i> -M-□□□□-R (Integral cable)
Power Supply			
1		white	DC Ground (0V)
2		brown	Machine Ground (Frame)
5		red	+15V
6		blue	-15V
Pulse Transmission			
3		gray	Stop (-)
4		pink	Stop (+)
7			
8			
9		yellow	Start (+)
10		green	Start (-)

3.6 Wiring Sensor - Analog Board

Following TEMPOSONICS components can be connect to an analog sensor system

Position Sensor

1. Type TTA; TTM and TTS - RB - M - xxxx - R (Connector version)
2. Type TTA; TTM and TTS - R0 - M - xxxx - R (Cable version)

Analog Board

1. Type AK 288 - xx - 0 - xxxx (±15 Vdc Input)
2. Type AK 288 - xx - 1 - xxxx (24 Vdc Input)

Do not carry out any connection with power on !

The Start/Stop pulse transmission between Sensor and Board is a differential signal.

Cable length: Maximum of 500 meters (see page 3)

Cable type: Shielded Cable with twisted pairs

e.g. LiYCY 4 x 2 x 0,25 mm² or
LiYCYCY 4 x 2 x 0,25 mm²

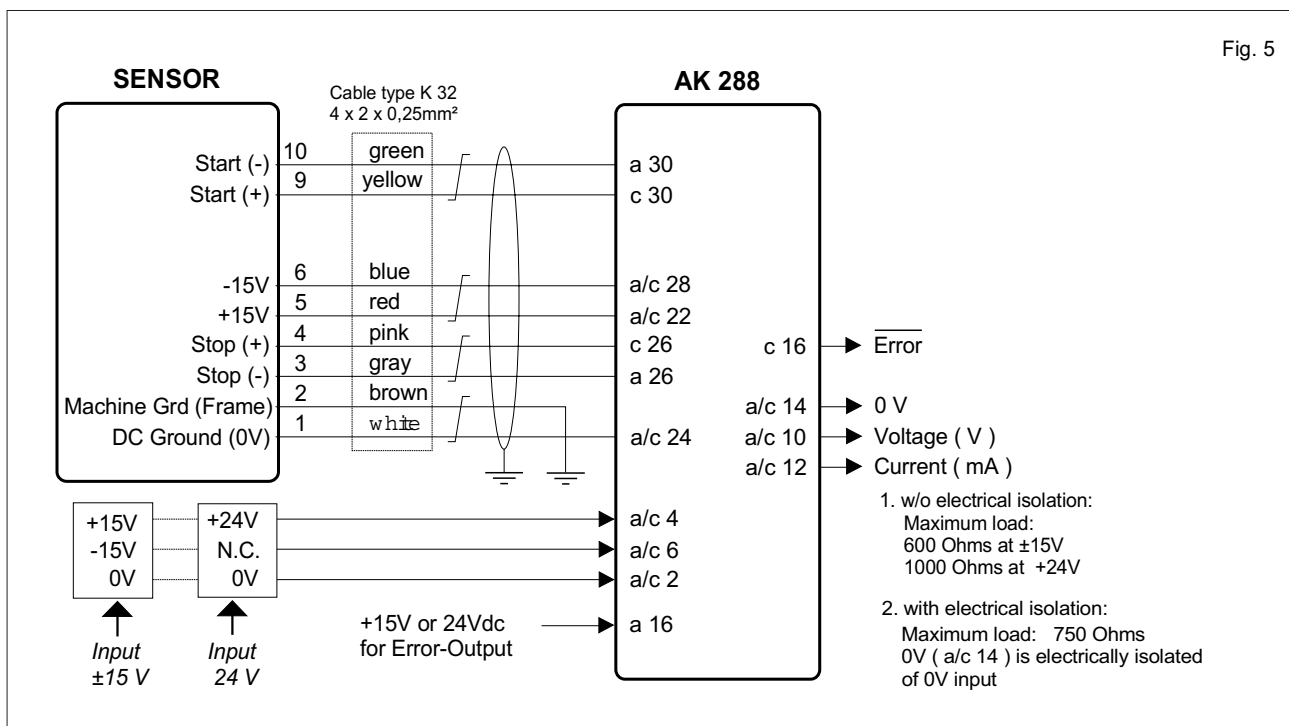


Fig. 5

Analog Board AK 288

4. Operational Check

4.1 Adjustment Start-Position and End-Position

Note: All boards are factory-set to the following customized parameters

- Sensor Length
- Noise rejection
- Measuring direction
- Position of Setpoints SP1 and SP2
- Output

A difference is made between standard and customized adjustments.

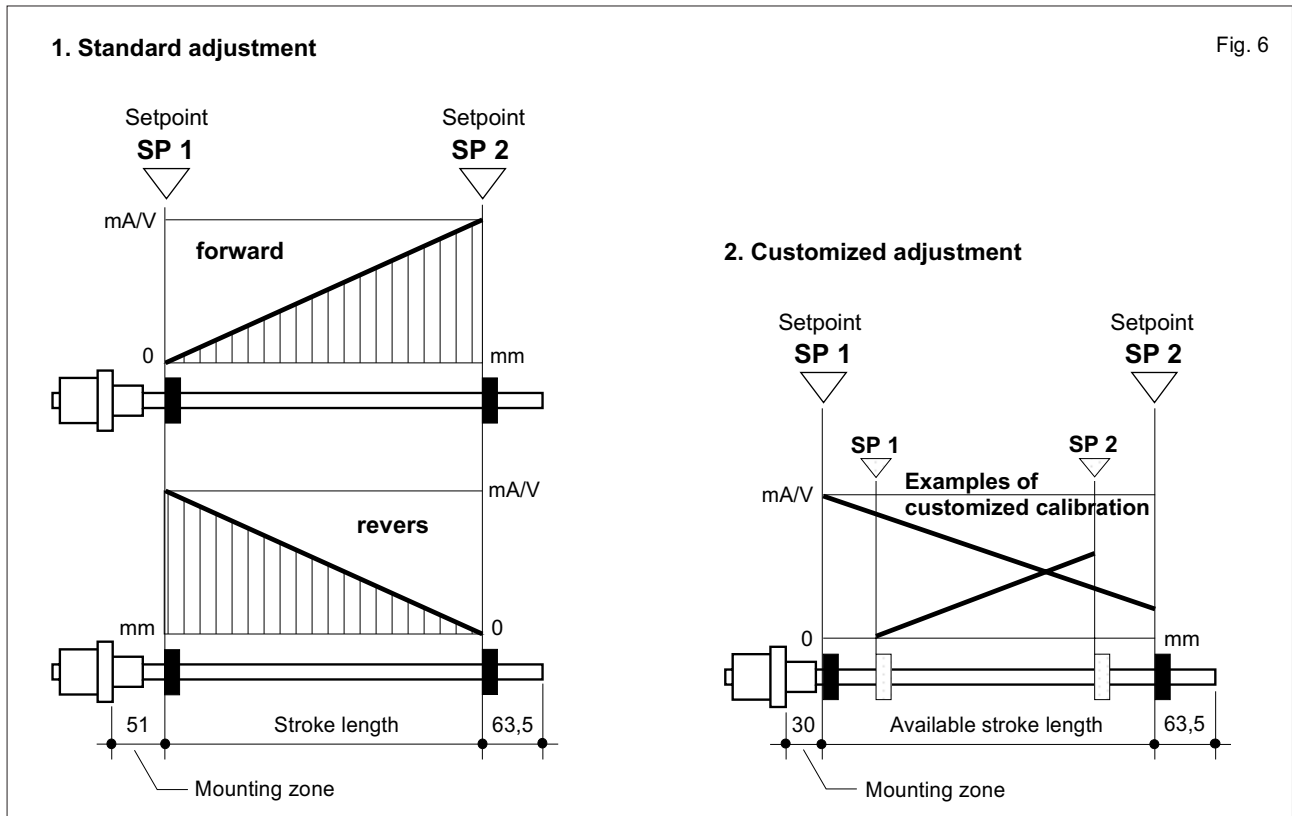


Fig. 6

Small offsets in the magnet position due to mounting or wear in the moving parts of the mechanical system to which the magnet is attached can be compensate by the adjustments of 2 potentiometers in the card front panel:

1. Bring Position magnet to the factory adjusted **ZERO** and **SPAN** position (Setpoints SP1 and SP2) and check the outputs with help of a digital voltmeter or the connected controller.
2. Adjust **START** position (NULL) if necessary by potentiometer " **N** "
3. Adjust **END** position (SPAN) if necessary by the potentiometer " **S** "

To guarantee the high accuracy of the TEMPOSONICS analog measuring device, that adjustments of 'N' and 'S' are only possible in the small range of ±1% of full stroke.

Important!

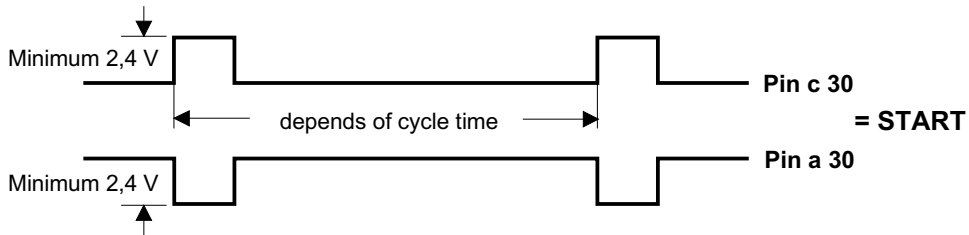
Independent of measuring direction, valid is:
 The **Start Position** will be adjusted always with pot '**N**'
 The **End Position** will be adjusted always with pot '**S**'

Analog Board AK 288

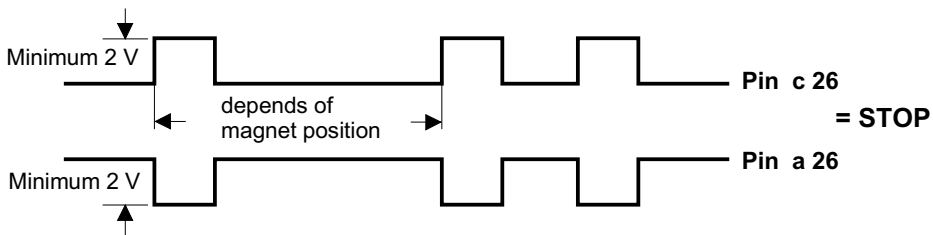
4.2 Troubleshooting

Use the troubleshooting procedure in this section when operational problems are encountered. Note, that the following checks are only for general diagnostic purposes.

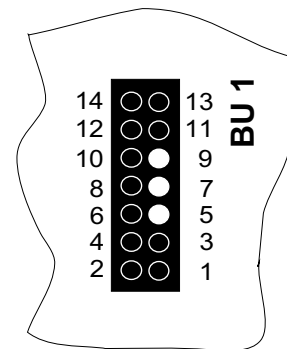
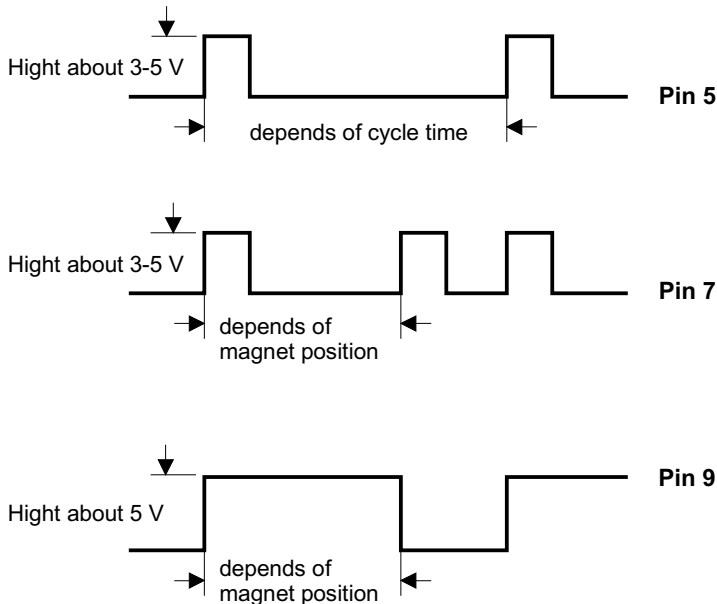
1. Check the cable connections
2. Check the power supply of the board AK 288
3. Check the Power supply board to displacement sensor
4. Check the START - SIGNAL on the multipoint plug of the card with an oscilloscope



5. Check the STOP - SIGNAL on the card ' s multipoint plug



6. The following signals must be measured at the pins of the test socket " BU 1 " (see fig. 7 / page 7)



Test Socket Component side

7. At the 2 testpoints " TP " on the board frontpanel (right) the actual DISPLACEMENT VALUE can be measured as an analog voltage output.

Please use this signal output for testing only !

Analog Board AK 288

5. System Calibration

ATTENTION!

All Boards are factory adjusted. Following detailed instructions are for scaling to altered local conditions only or for a new setting of a neutral spare part board.

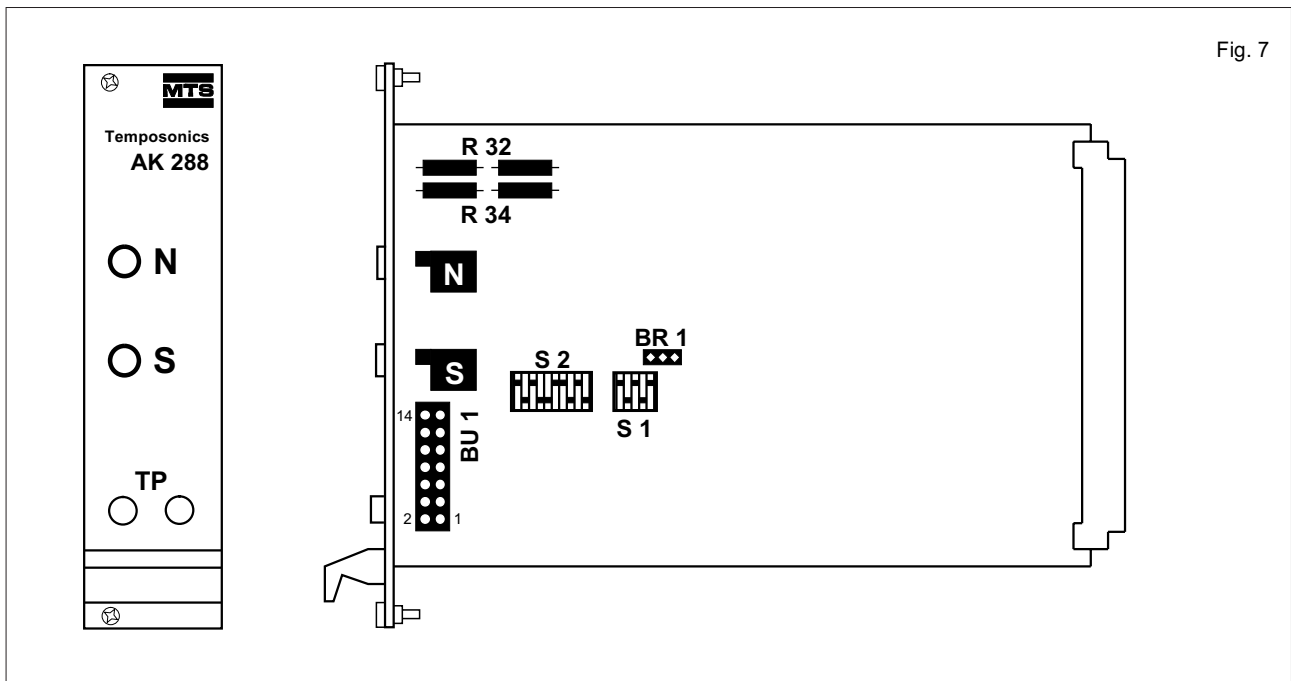
5.1 Sensor Length and Cycle Time

5.2 Noise Rejection

5.3 Measuring Direction

5.4 Output of Start and End Points

are variable parameters. For changes of the factory calibration note the adjustment items on following pages. Position of calibration components you can find on the board component side below.



Analog Board AK 288

5.1 Sensor Length and Cycle Time

To optimize the cycle time (measuring frequency), the AK 288 must always be adjusted to the Sensor Length of the connected Temposonics-II transducer.

The Sensor Length is the addition of labeled stroke length, mounting zone (51 mm) and a fixed value of 46 mm (see below).

MTS Sensor Technologie GmbH & Co. KG
Auf dem Schüffel 9
D-58513 Lüdenscheid

Temposonics

TTA-RB-M-0150-R

Stroke	150 mm
Scale	64840
FK	281972 / A
Grd	9.00805
FN	93-39065

Example Sensor Label

Stroke length

The Sensor Length must be programmed with the dip switches No. 0-9 of the code switch S2 (fig.8) in On/Off position.

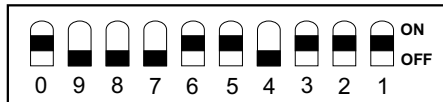


Fig. 8 - Code switch S2

5.1.1 Calculation of Total Value (GW):

$$GW = \frac{\text{Stroke length} + 51\text{mm Mounting zone} + 46\text{ mm}}{17,9\text{ mm}}$$

Always round up the calculated value !

5.1.2 Setup Code switch S 2

- Each of the dip-switches 0 - 9 of code switch S2 has a Single Value (EW) as shown in table 1.
- EW (Single Value) which is closest to the calculated GW (Total Value) read from the table 1 and add EW's until GW is reached.
- Set the slide switches 0 - 9, with the single value (EW) to position ON.
- All other switches must be in position OFF.



Single value (EW)	Dip switch	Cycle time, µsec	Sensor length, mm
1	0	6.4	17.9
2	9	12.8	35.8
4	8	25.6	71.6
8	7	51.2	143.2
16	6	102.4	286.4
32	5	204.8	572.8
64	4	409.6	1145.6
128	3	819.2	2291.2
256	2	1638.4	4582.4
512	1	3276.8	9164.8

Table 1

5.1.3 Example of Scaling Sensor Length

$$GW = \frac{\text{Stroke length} + 51\text{mm mounting zone} + 46\text{ mm}}{17,9\text{ mm}}$$

1) Put in the values of above sketch

$$GW = \frac{300 + 51 + 46}{17,9} = 22,18$$

2) Round up that calculated value to 23

3) Add the Single Values from table 1 to that calculated Total Value of 23 and setup the corresponding dip switches (see table 1) in position ON. All others in position OFF.

EW 16 + 4 + 2 + 1 = 23

Switch # 6 8 9 0 = ON

4) Table 1 can also be used to obtain the cycle time or measuring frequency for the individual sensor length. The cycle time is calculated by the addition of the individual cycle times + 6,2 µs.

Analog Board AK 288

5.2 Noise Rejection

TEMPOSONICS sensor device needs a perfect STOP signal. Noises out of interferences on the connecting cable can be rejected on the Analog Board AK 288 with code switch S1 by programming a "time window". The STOP signal must be within this window.

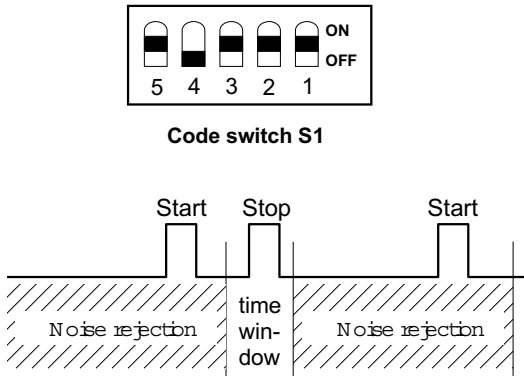


Fig. 9

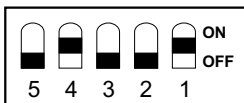
The pulse duration - measured in μs - is adjusted dynamically to the STOP signal in each case. If a setting other than the factory scaling is desired, the duration must be programmed on starting up in dependence on the maximum speed of the position magnet

Following noise rejections has been factory set:

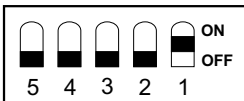
- Stroke length up to 150 mm (time window = 3,1 μs)



- Stroke length of 150-300 mm (time window = 4,6 μs)



- Stroke length above 300 mm (time window = 6,2 μs)



5.2.1 Scaling Noise Rejection

The position of the single switches # 1 - 5 of S1 is determined according to the formula as follows

$$\text{Time Window } (\mu\text{sec}) = \frac{\text{max. speed (m/s)} \times \text{setup stroke length}^* + 17}{7840}$$

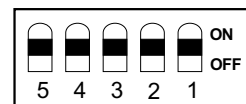
*) see page 8; item 5.1

Using this calculated time window, the required programming of **Switch S1**, can read from table below.

Time window in μs	Switch S1	Switch S2
1) No noise rejection	5 4 3 2 1 ON OFF	0 9 8
2) 1.4 μsec	5 4 3 2 1	0 9 8
3) 1.4 μsec	5 4 3 2 1	0 9 8
4) Factory preset up to 150 mm	5 4 3 2 1	0 9 8
6) 3.1 μsec	5 4 3 2 1	0 9 8
7) Factory preset 150...300 mm	5 4 3 2 1	0 9 8
8) 4.6 μsec	5 4 3 2 1	0 9 8
9) Factory preset above 300 mm	5 4 3 2 1	0 9 8
10) 6.2 μsec	5 4 3 2 1	0 9 8
11) 8.0 μsec	5 4 3 2 1	0 9 8
12) 9.6 μsec	5 4 3 2 1	0 9 8
13) 11.2 μsec	5 4 3 2 1	0 9 8
14) 12.8 μsec	5 4 3 2 1	0 9 8
ATTENTION! Switch positions as right are prohibited !	5 4 3 2 1	0 9 8

Table 2

If the calculated value is below the lowest table 2 value, switch S1 is set for a time window = 1.4 μs as follows:



IMPORTANT!
Sliding switch No. 5 of S1 and switch No. 0 of S2 are connected with one other. Both switches must be switched ON or OFF!

Analog Board AK 288

5.3 Scaling Measuring Direction

The measuring direction is determined or changed on the analog card using the 3 pin code-bridge BR 1 (see page 7).

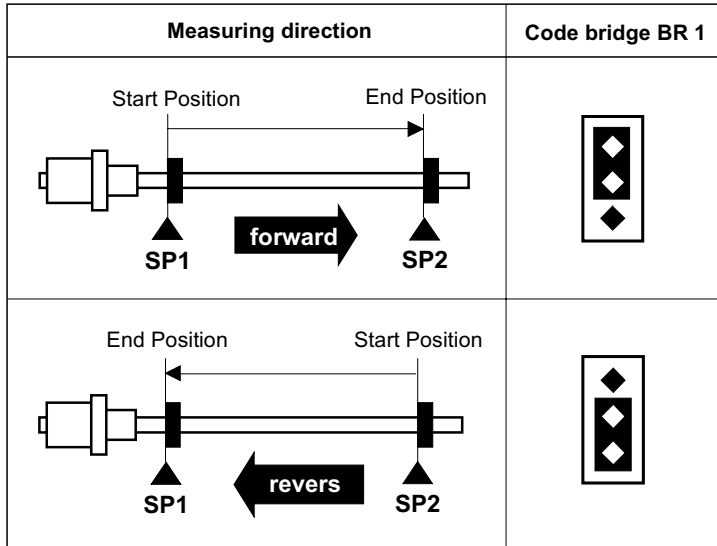


Fig. 10

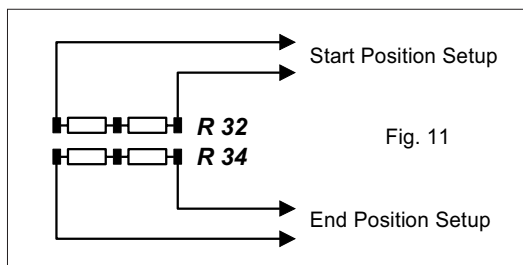
5.4 Setpoint Adjustment

IMPORTANT

**Independent of measuring direction:
Setpoint SP 1 is always at sensor head
Setpoint SP 2 is always at sensor rod end**

For calibration of the Start and End position you need 2 decimal resistors or multispeed helical pot. Setups are done using the resistors **R32** and **R34** (see page 7, fig. 7) as following:

1. Turn potentiometers NULL "N" and SPAN "S" (page 7, fig 7) to the middle position.
2. For **R32** and **R34** connect compensating resistors in the form of decimal resistors or helical potentiometers.



3. Attention!

It is imperative that **R 34** is wired with a resistor (average value appx. 10 KOhms), as the power stages otherwise work without feedback.

4. Connect a Digitalmultimeter to the output of the analog board.
5. Bring the position magnet to the Start Position **SP1** or **SP2** and set the desired output using the decimal resistor or helical potentiometer at **R32**.
6. Read the resistance value off or measure the potentiometer value and connect as fixed resistor for **R32**
7. Check the output by approaching the start point from both sides several times, and correct where necessary using "N".
8. Bring the position magnet to the End Position **SP1** or **SP2** and determine the fixed resistance for **R34** in the same manner as described for **R32**.
9. Check the output by approaching the end point from both sides several times, and correct where necessary using "S".
10. If there is only 1 decimal resistor or 1 helical potentiometer, before **R 32** is set, **R 34** must be provided with a **10 KOhms** fixed resistor.

END

Document Part Number: AK288/2001-02 (EN)

MTS and Temposonics® are registered trademarks of MTS Systems Corporation. All other trademarks are the property of their respective owners. Printed in Germany.

Copyright © 2013 MTS Sensor Technologie GmbH & Co. KG. Alterations reserved. All rights reserved in all media. No license of any intellectual property rights is granted. The information is subject to change without notice and replaces all data sheets previously supplied. The availability of components on the market is subject to considerable fluctuation and to accelerated technical progress. Therefore we reserve the right to alter certain components of our products depending on their availability. In the event that product approbations or other circumstances related to your application do not allow a change in components, a continuous supply with unaltered components must be agreed by specific contract.



**MTS Sensor Technologie
GmbH & Co. KG**
Auf dem Schüffel 9
58513 Lüdenscheid, Germany
Tel. + 49-23 51-95 87 0
Fax + 49-23 51-5 64 91
E-Mail: info@mtssensor.de
www.mtssensor.de

MTS Systems Corporation
Sensors Division
3001 Sheldon Drive
Cary, N.C. 27513, USA
Tel. + 1-919-677-0100
Fax + 1-919-677-0200
E-Mail: sensorsinfo@mts.com
www.mtssensors.com

MTS Sensors Technology Corp.
737 Aihara-cho,
Machida-shi, Japan
Tel. + 81-42-775-3838
Fax + 81-42-775-5516
E-Mail: info@mtssensor.co.jp
www.mtssensor.co.jp